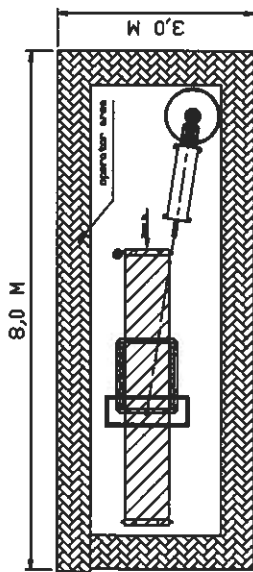
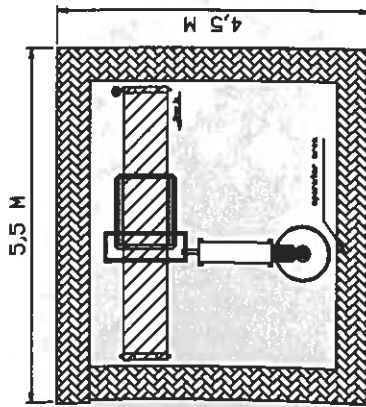


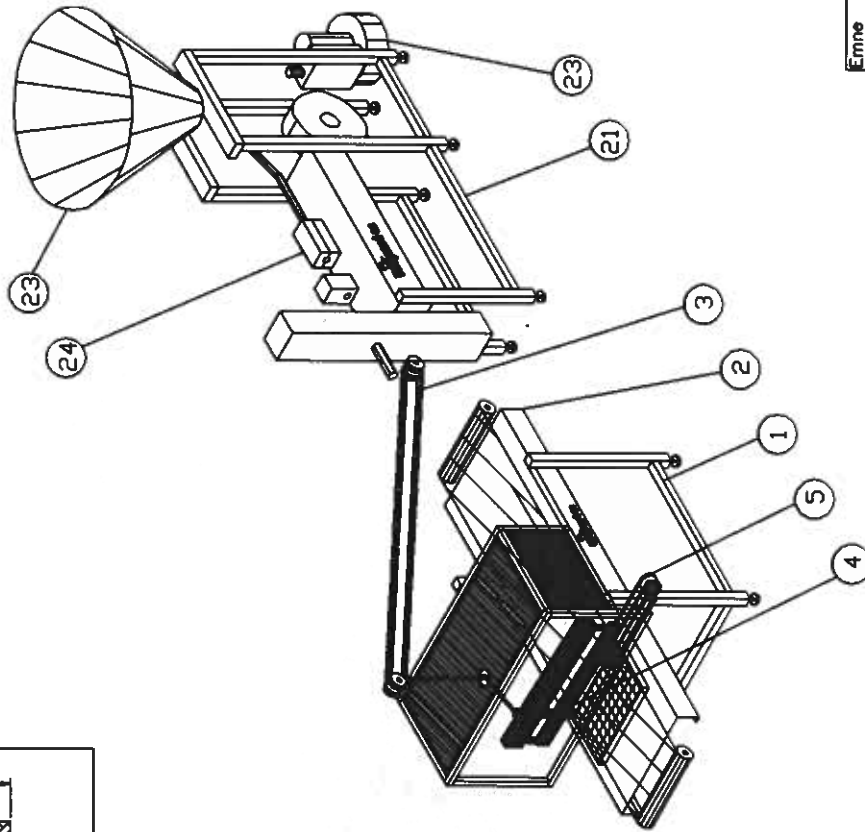
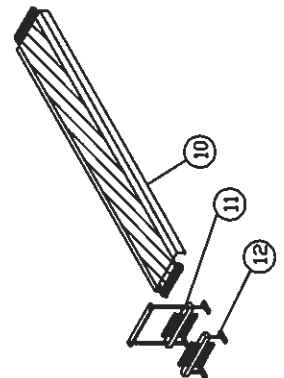
Top View (T-H111)
Machine height 2,2 meter



Top View (T-H211)
Machine height 2,2 meter



Options



- ②④ Tool T H111 Ø15-50mm
- ②③ Vacuum pump 3 kw
- ②② Substrate hopper 200l
- ②① Pot automat with 1 tube
- ②⑫ Water unit
- ②⑪ Dibble unit
- ②⑩ Conveyor for tray 2 M
- ②⑤ Tool 50 - 80mm (height max 100mm)
- ②④ Tool 15 - 50mm (height max 60mm)
- ②③ Elevator for paper pot 2,2 meter
- ②② Conveyor for tray 4 M
- ②① Main frame with control box

Capacity: (Ø15-50) 6.000 pot per hour
 Capacity: (Ø50-80) 2.500 pot per hour
 Serial no
 Int. ordre no

Local supply:

Power: 3 # 400 volt + 0 + ground
 or 3 # 220 volt + 0 + ground
 50/60 Hz

KW : 1,5

Air: 150 L/min

Pressure: 6 bar

Fuse: 16 amp

Emne

Multiflex Lay-out
 Example

Tegning nr.
 L0802012

Materiale

MAL :

Overflade

Antal:

Ellegaard as

Storstrømsvej 55 - DK 6715 Esbjerg N
 Tel. +45 76 14 76 76 - Fax: +45 76 14 76 60